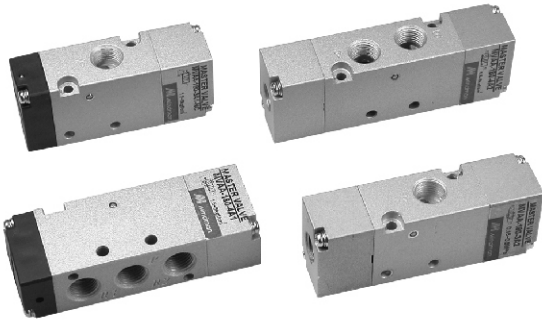


MVAA-180 series

MASTER VALVE



Specification:

Model	MVAA-180-3A1,A2	MVAA-180-4A1,A2	
Bore No.	6A		
Port size	PT 1/8		
No. of port	3	5	
Medium	Air		
Operating pressure range	0~8 kgf/cm ²		
Proof pressure	10 kgf/cm ²		
Effective orifice	12 mm ²		
Pilot pressure range	1.5~8 kgf/cm ²		
Ambient temperature	-5~+60°C (No freezing)		
Weight	61 g	74 g	71 g 84 g

Order example:

MVAA - 180 - 4A2 - BSP

MODEL

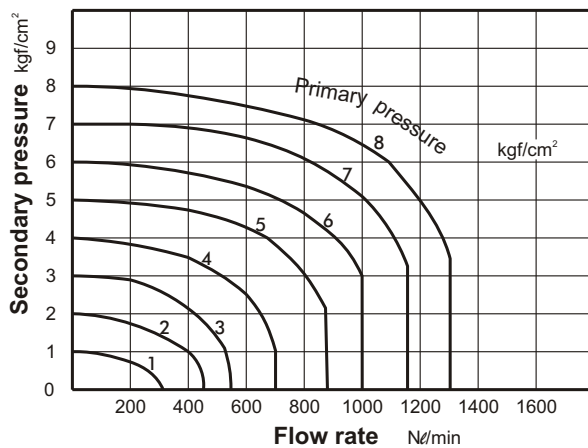
BODY WIDTH

3: 3way
4: 4way

A1: Single air operate
A2: Double air operate

PORT THREAD
Blank: PT thread
BSP: BSP thread
NPT: NPT thread

Flow features:



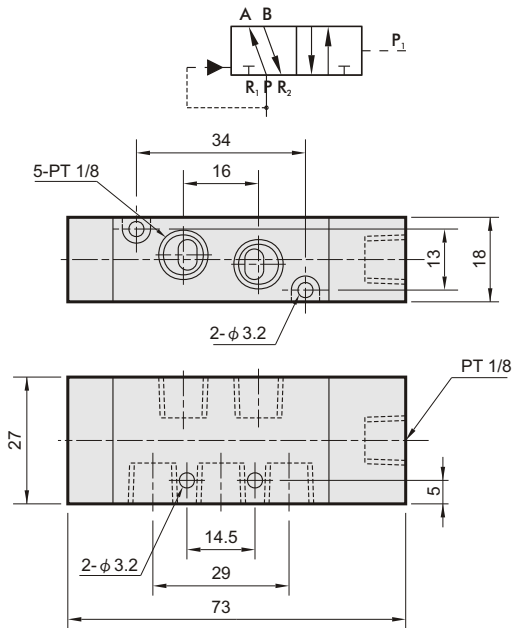
MVAA-180

MASTER VALVE

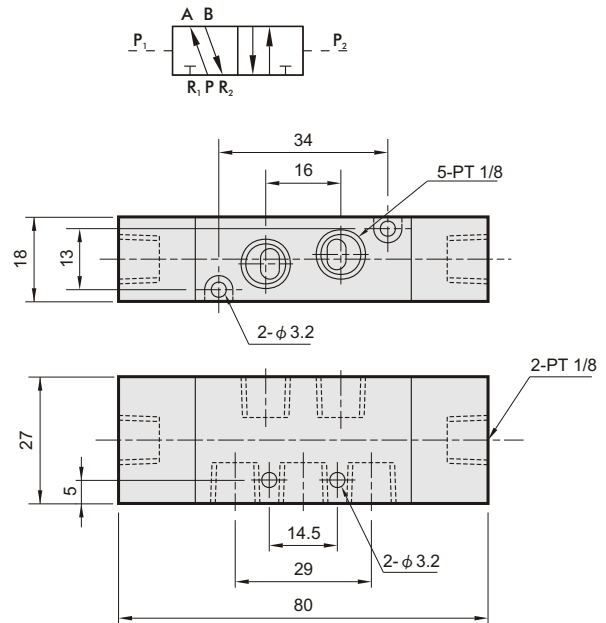


Dimensions:

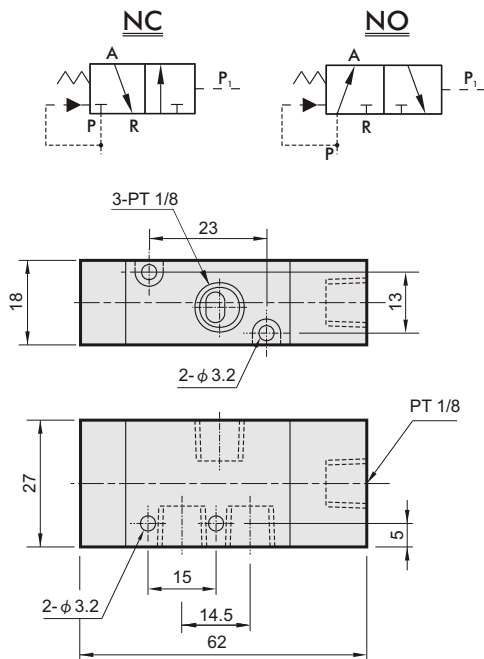
MVAA-180-4A1



MVAA-180-4A2



MVAA-180-3A1-NC/NO



MVAA-180-3A2

